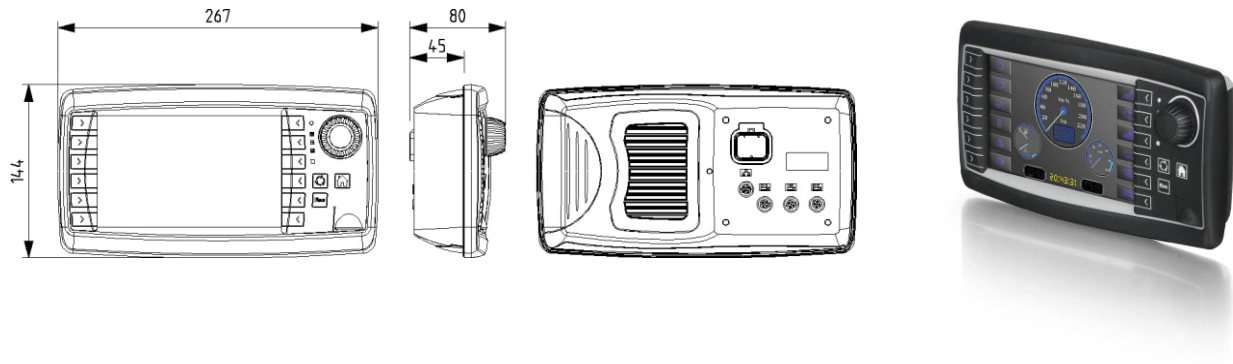


# DATA SHEET

## Display Series 3100

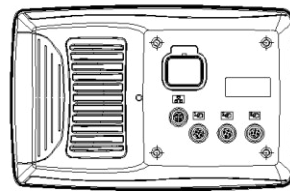
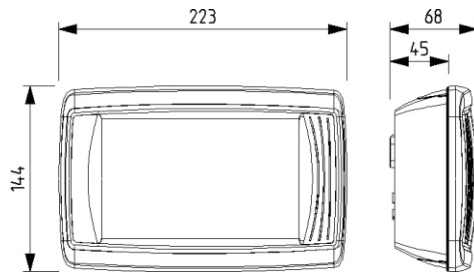


Mechanical Data	3101	3102
Dimensions width / height / depth [mm]	267 / 144 / 80	
Degree of protection	IP 6K6 (ISO 20653)	
Temperature range	-30 °C ... +65 °C / -22 °F ... +149 °F	
Weight	1060 g	1080 g
Electrical Data		
DC power supply	9 V ... 36 V	
Power input @ 24 V	< 550 mA	
Memory: Configuration / EEPROM / RAM	64 MB / 28 kB / 128 MB	
Input elements	12 softkeys, 3 hardkeys, 1 jog-wheel	
Status LED (multicolor, dimmable)	1	
Symbol LEDs (single color, dimmable)	green, yellow	green, yellow, red
Buzzer	✓	
Real-time clock with backup / accuracy	Backup-time 2 weeks / ± 4 sec/day	
Display Data		
Display type / resolution / max. brightness	7", 15:9 transmissive TFT / 480 x 272 px / 400 cd/m <sup>2</sup>	
Touch screen	-	✓
Backlight for keys and display	Dimmable	
Interfaces / Protocols		
CAN (ISO 11898-2 High Speed, 2.0 A/B)	2	
USB (Host)	1 (USB 2.0, main connector)	2 (USB 2.0, front / main connector)
Video interface (PAL / NTSC)	1	3
Outputs	-	3 digital OUT
Inputs	-	4 analog IN
Ambient light sensor	✓	
CANopen, Layer 2, J1939	✓	
Customized CAN protocols	On request	
Software		
PROEMION Tools CD	157 002 059	
Product number / Accessories		
<b>Display Color</b>	<b>251 007 033</b>	<b>251 007 034</b>
Cable Display Color 3000, 2m (full occupancy)	136 000 140	
Cable Display Color 3000, 2m (2 CAN / Power / USB)	136 000 141	
Starter Kit		
Display Color Starter Kit	253 000 112	253 000 113
Certifications		
CE, FCC, E1	✓	

# DATA SHEET

## Display Series 3110

**PROEMION**  
Telematics Systems



Mechanical Data	3111	3112
Dimensions width / height / depth [mm]	223 / 144 / 68	
Degree of protection	IP 6K6 (ISO 20653)	
Temperature range	-30 °C ... +65 °C / -22 °F ... +149 °F	
Weight	910 g	930
Electrical Data		
DC power supply	9 V ... 36 V	
Power input @ 24 V	< 500 mA	
Memory: Configuration / EEPROM / RAM	64 MB / 28 kB / 128 MB	
Input elements	-	
LEDs	-	
Buzzer	✓	
Real-time clock with backup / accuracy	Backup-time 2 weeks / ± sec/day	
Display Data		
Display type / resolution / max. brightness	7", 15:9 transmissive TFT / 800 x 480 px / 400 cd/m <sup>2</sup>	
Touch screen	-	✓
Backlight for keys and display	Dimmable	
Interfaces / Protocols		
CAN (ISO 11898-2 High Speed, 2.0 A/B)	2	
USB (Host)	1 (USB 2.0 full speed, on main connector)	
Video interface (PAL / NTSC)	1	3
Outputs	-	3 digital OUT
Inputs	-	4 analog IN
Ambient light sensor	-	
CANopen, Layer 2, J1939	✓	
Customized CAN protocols	On request	
Software		
PROEMION Tools CD	157 002 059	
Product number / Accessories		
<b>Display Color</b>	<b>251 007 035</b>	<b>251 007 036</b>
Cable Display Color 3000, 2m (full occupancy)	136 000 140	
Cable Display Color 3000, 2m (2 CAN / Power / USB)	136 000 141	
Starter Kit		
Display Color Starter Kit	253 000 114	253 000 115
Certifications		
CE, FCC, E1	✓	